



USER MANUAL – EN

IN 4342 Exerciser inSPORTline AB lifter





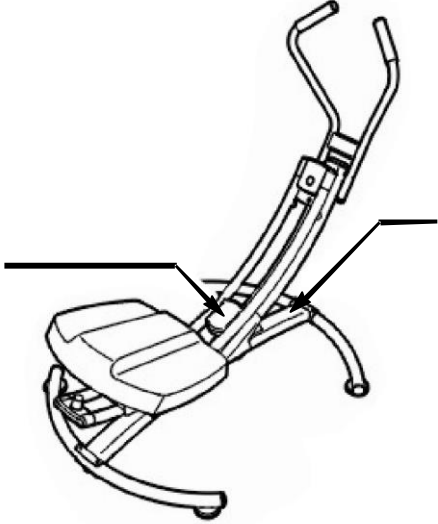


CONTENTS

- IMPORTANT PRECAUTIONS 3
- BEFORE YOU BEGIN 4
- ASSEMBLY 5
- HOW TO USE THE ABDOMINAL EXERCISER 9
- CONSOLE INSTRUCTIONS 11
- EXERCISE GUIDELINES..... 12
- PARTS LIST 15
- EXPLODED DRAWING..... 17
- ORDERING REPLACEMENT PARTS 18
- TERMS AND CONDITIONS OF WARRANTY, WARRANTY CLAIMS 18

WARNING DECAL PLACEMENT

This drawing shows the location(s) of the warning decal(s). **If a decal is missing or illegible, see the front cover of this manual and request a free replacement decal. Apply the decal in the location shown.**

NOTE: The decal(s) may not be shown at actual size.

<p> WARNING</p> <p>Read and follow all warnings and instructions in the owner's manual.</p> <p>Refer to page ten in your manual for specific safety instructions on how to mount and dismount the knee pad.</p> <p>To avoid losing your balance, use extreme caution while mounting and dismounting.</p> <p>Always hold the handlebars while exercising; do not hold the pivot frame or the console.</p> <p></p>		<p> WARNING</p> <p>Misuse of this machine may result in serious injury.</p> <p>Read user's manual prior to use and follow all warnings and instructions.</p> <p>Do not allow children on or around machine.</p> <p>User weight must not exceed 300 pounds (130kgs).</p> <p>Replace label if damaged, illegible, or removed.</p> <p></p>
--	--	--

IMPORTANT PRECAUTIONS

WARNING: To reduce the risk of serious injury, read all important precautions and

Instructions in this manual and all warnings on your abdominal exerciser before using your abdominal exerciser.

1. Before beginning any exercise program, consult your physician. This is especially important for persons over age 35 or persons with pre-existing health problems.
2. Use the abdominal exerciser only as described in this manual.
3. It is the responsibility of the owner to ensure that all users of the abdominal exerciser are adequately informed of all precautions.
4. The abdominal exerciser is intended for home use only. Do not use the abdominal exerciser in any commercial, rental, or institutional setting.
5. Keep the abdominal exerciser indoors, away from moisture and dust. Place the abdominal exerciser on a level surface, with carpet or a not-slip mat beneath it.
6. Make sure that there is enough clearance around the abdominal exerciser to mount, dismount, and use the abdominal exerciser.
7. Inspect and properly tighten all parts regularly. Replace any worn parts immediately.
8. Keep children under age 12 and pets away from the abdominal exerciser at all times.
9. The abdominal exerciser should not be used by persons weighing more than 300 lbs (130kgs).
10. Wear appropriate clothes while exercising; do not wear loose clothes that could become caught on the abdominal exerciser. Always wear athletic shoes for foot protection while exercising.
11. Use extreme caution while mounting and dismounting the abdominal exerciser (see HOW TO USE THE ABDOMINAL EXERCISER: HOW TO MOUNT AND DISMOUNT THE ABDOMINAL EXERCISER). Always hold the handlebar while exercising; do not hold the pivot frame or the console.

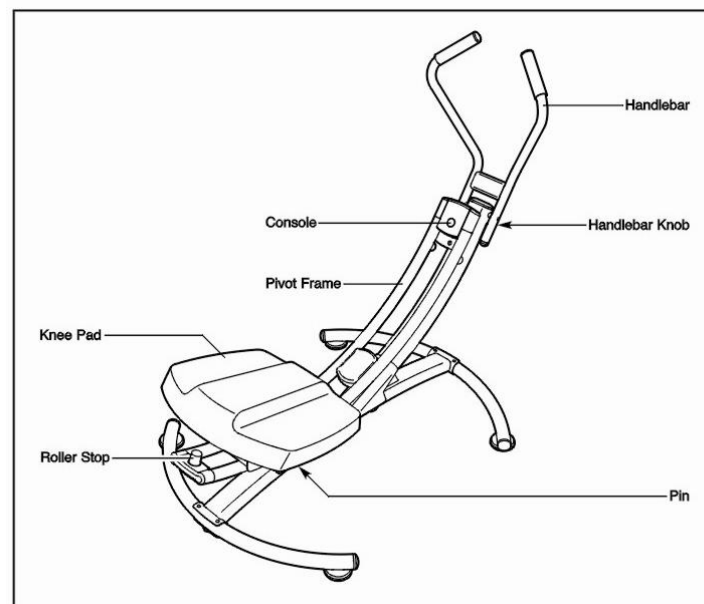
12. Keep hands and feet away from moving parts.
13. For your own safety, always ensure that there is at least 0.6 meter of free space in all directions around your product while you are exercising.
14. Over exercising may result in serious injury or death. If you feel faint or if you experience pain while exercising, stop immediately and cool down.

BEFORE YOU BEGIN

Thank you for selecting the AB Lifter abdominal exerciser. The versatile AB Lifter abdominal exerciser is designed to help you develop your core muscles, improve your muscle tone, achieve a shapelier figure, and increase your overall fitness.

For your benefit, read this manual carefully before using the abdominal exerciser. If you have questions after reading this manual, please see the front cover of this manual. To help us assist you, note the product model number and serial number before contacting us. The model number and the location of the serial number decal are shown on the front cover of this manual.

Before reading further, please review the drawing below and familiarize yourself with the labeled parts.



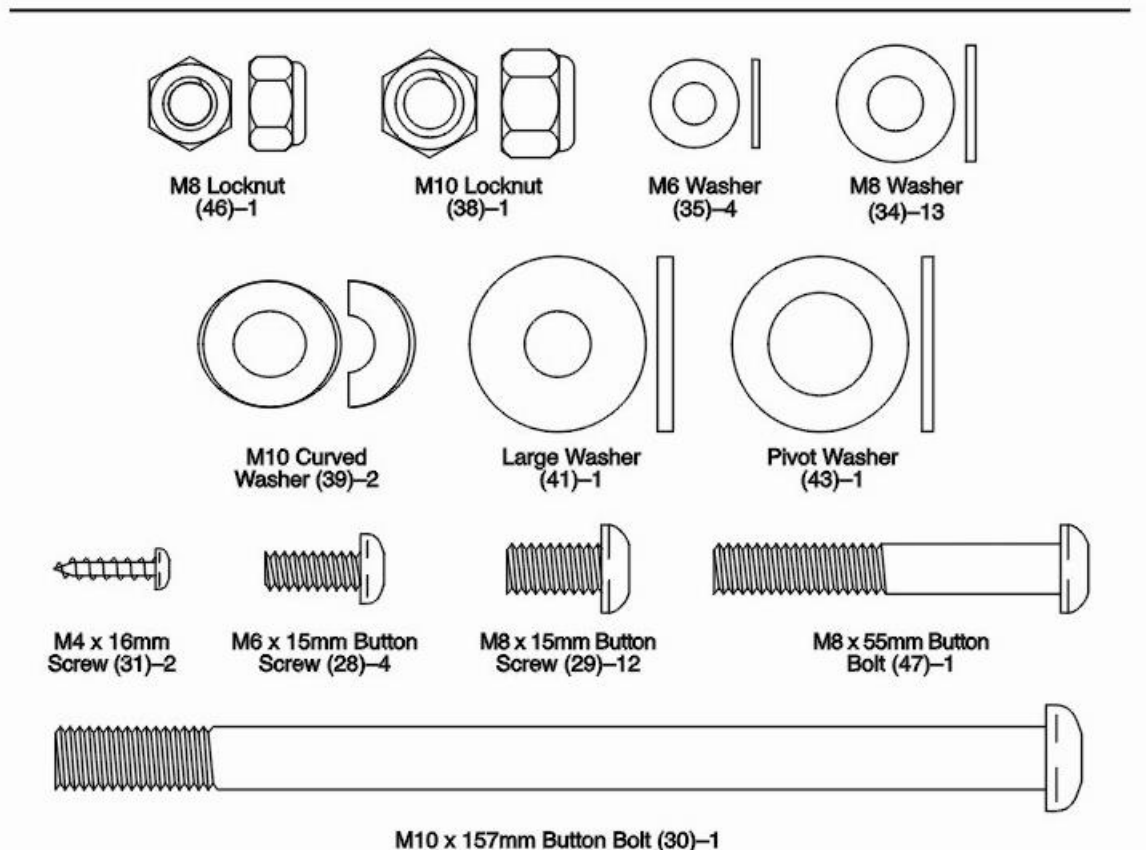
ASSEMBLY

To hire an authorized service technician to assemble the abdominal exerciser.

Assembly requires two persons. Place all parts of the abdominal exerciser in a cleared area and remove the packing materials. Do not dispose of the packing materials until assembly is completed.

TOOLS: Multi spanner + screwdriver

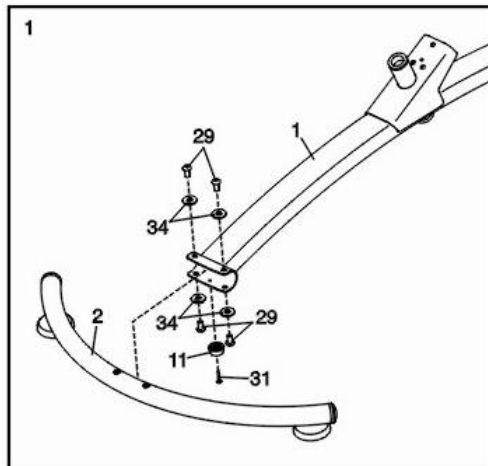
As you assemble the abdominal exerciser, use the drawings below to identify small parts. The number in parentheses below each drawing is the key number of the part, from the PART LIST near the end of this manual. The number following the parentheses is the quantity needed for assembly. **Note: if a part is not in the hardware kit, check to see if it has been preassembled. To avoid damaging parts, do not use power tools.**



1. Attach a Base (2) to the Frame (1) with four M8 x 15mm Button Screws (29) and four M8 Washers (34).

Then, attach a Frame Foot (11) to the underside of the Frame (1) with an M4 x 16mm Screw (31).

Attach the other Base (not shown) and the other Frame Foot (not shown) in the same way.



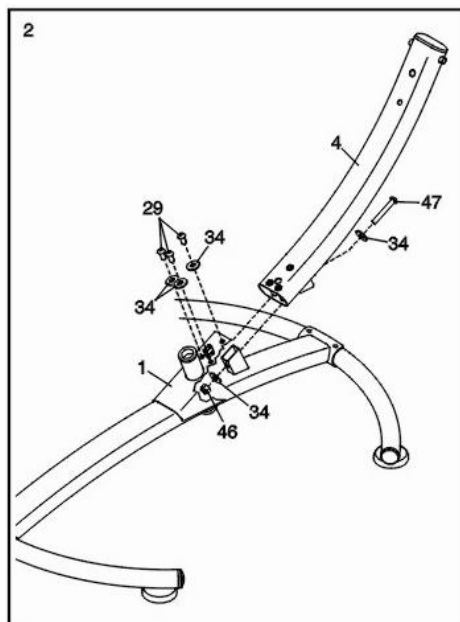
2. Insert the Upright (4) into the Frame (1).

Attach the Upright (4) with three M8 x 15mm Button Screws (29) and three M8 Washers (34).

Do not tighten the Button Screws yet.

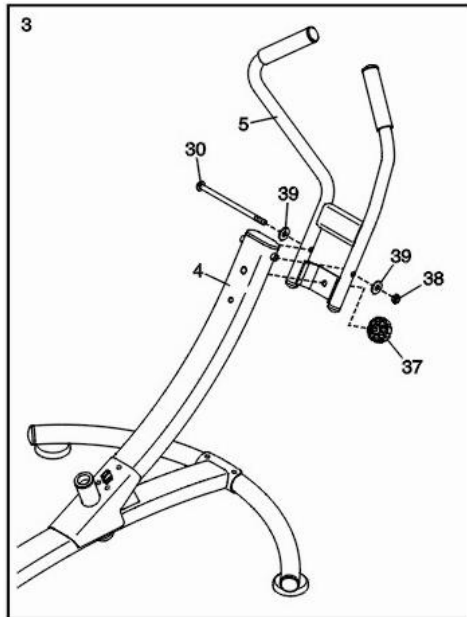
Finish attaching the Upright (4) with an M8 x 55 mm Button Bolt (47), two M8 Washers (34), and an M8 Locknut (46).

Firmly tighten the three M8 x 15mm Button Screws (29) and the M8 Locknut (46).



3. Attach the Handlebar (5) to the Upright (4) with an M10 x 157mm Button Bolt (30), two M10 Curved Washers (39), and an M10 Locknut (38).

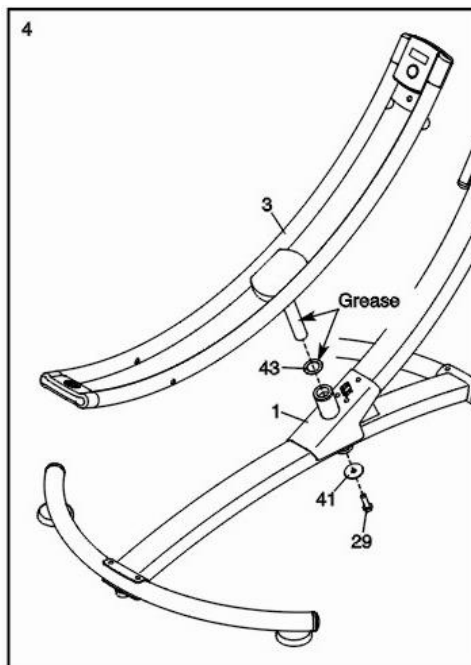
Secure the Handlebar (5) with the Handlebar Knob (37).



4. Apply a small amount of the included grease to both sides of a Pivot Washer (43) and to the axle on the Pivot Frame (3).

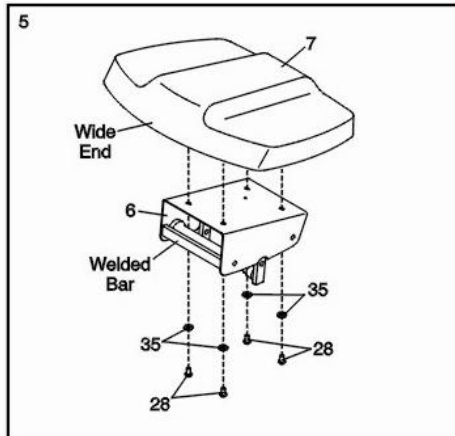
Slide the Pivot Washer (43) onto the axle on the Pivot Frame (3). Then, insert the Pivot Frame into the Frame (1).

Attach the Pivot Frame (3) with an M8 x 15mm Button Screw (29) and a Large Washer (41). **Do not overtighten the Button Screw; the Pivot Frame must pivot freely.**

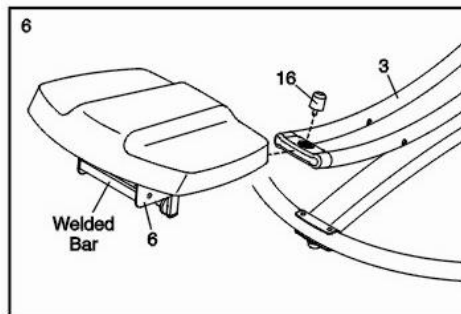


5. Orient the Knee Pad (7) and the Roller Carriage (6) as shown.

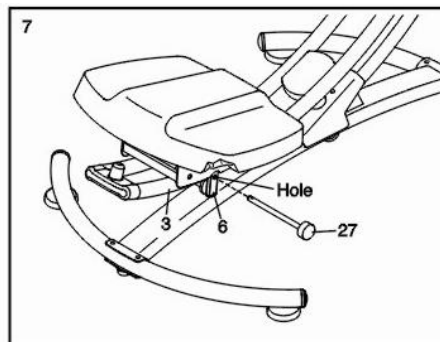
Attach the Knee Pad (7) to the Roller Carriage (6) with four M6 x 15mm Button Screws (28) and four M6 Washers (35).



6. Orient the Roller Carriage (6) as shown. Slide the Roller Carriage onto the Pivot Frame (3). Tighten the Roller Stop (16) into the Pivot Frame (3).



7. Move the Roller Carriage (6) to the position shown, and align the indicated hole in the Roller Carriage with the corresponding hole (not shown) in the Pivot Frame (3). Insert the Pin (27) into the Roller Carriage (6) and the Pivot Frame (3).



8. **Make sure that all parts are properly tightened before you use the abdominal exerciser.**
Note: Some hardware may be left over after assembly is completed.

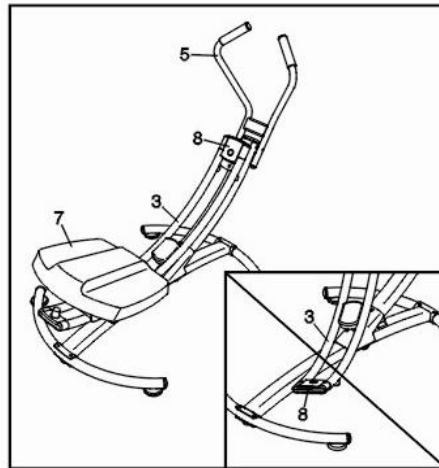
HOW TO USE THE ABDOMINAL EXERCISER

HOW TO MOUNT AND DISMOUNT THE ABDOMINAL EXERCISER

The pivot frame can swivel from side to side, and the knee pad can move forward and backward; to avoid losing your balance, use extreme caution while mounting and dismounting the abdominal exerciser.

Before mounting the abdominal exerciser, make sure that the Pivot Frame (3) is in the position shown below.

Do not rotate the Pivot Frame so that the Console (8) is near the floor as shown in the inset drawing.

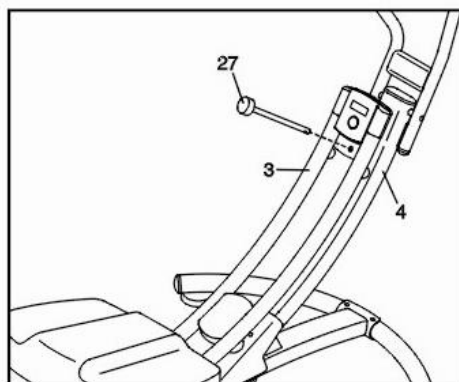


Next, stand beside the abdominal exerciser and hold the Handlebar (5) firmly with both hands. Place one knee on the Knee Pad, halfway between the front of the knee Pad and the back of the Knee Pad. Then, place your other knee on the Knee Pad. **Always hold the Handlebar while exercising; do not hold the Pivot Frame or the Console (8).**

To dismount, hold the Handlebar (5) and place one foot at a time on the floor beside the Knee Pad (7).

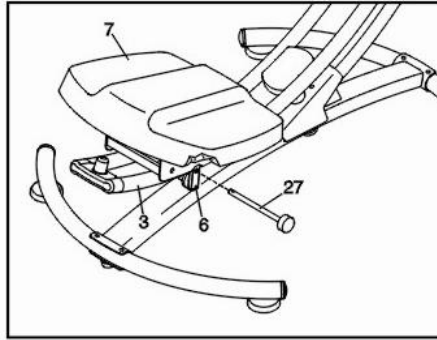
HOW TO LOCK THE PIVOT FRAME

To lock the Pivot Frame (3) so that it will not swivel from side to side, insert the Pin (27) into the Pivot Frame (3) and into the Upright (4).



HOW TO LOCK THE KNEE PAD

To lock the Knee Pad (7) so that it will not move forward and backward, insert the Pin (27) into the Roller Carriage (6) and into the Pivot Frame(3).



HOW TO USE THE ABDOMINAL EXERCISER

The abdominal exerciser can be used with the pivot frame in the locked position or the unlocked position (see HOW TO LOCK THE PIVOT FRAME on page 9). In addition, the abdominal exerciser can be used with the knee pad in the locked position or in the unlocked position (see HOW TO LOCK THE KNEE PAD on page 9).

With the pivot frame unlocked and the knee pad unlocked, the pivot frame can swivel from side to side and the knee pad can move forward and backward. To exercise, use your core muscles to swivel the pivot frame from side to side and/or to move the knee pad forward and backward.

With the pivot frame locked and the knee pad unlocked, the pivot frame will not swivel from side to side, but the knee pad will move forward and backward. To exercise, use your core muscles to move the knee pad forward and backward.

With the pivot frame unlocked and the knee pad locked, the pivot frame can swivel from side to side, but the knee pad will not move forward and backward. To exercise, use your core muscles to swivel the pivot frame from side to side.

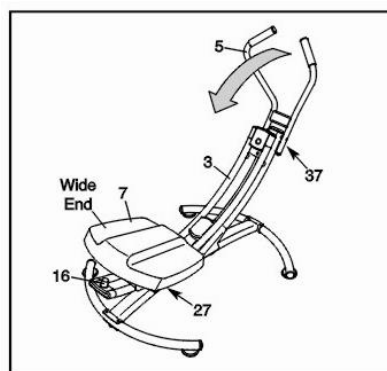
HOW TO STORE THE ABDOMINAL EXERCISER

The abdominal exerciser can be folded for storage.

First, remove the Pin (27) if necessary. Next, remove the Roller Stop (16), and slide the knee Pad (7) off the Pivot Frame (3).

Then, remove the Handlebar Knob (37), swivel the Pivot Frame (3) to the right or to the left, and fold the Handlebar (5) downward.

Reverse these actions to reassemble the abdominal exerciser. **Make sure to orient the Knee Pad (7) as shown.**



FEATURES OF THE CONSOLE



The console features five modes that provide instant exercise feedback during your workouts:

Scan - Displays the Time, Calorie, and Reps/Min modes in a repeating cycle

Time - Displays the elapsed time

Count - Displays the number of repetitions completed during the current workout

Calorie - Displays the approximate number of calories you have burned

Reps/Min - Displays the number of repetitions completed per minute

HOW TO INSTALL A BATTERY

The console requires one AA battery (not included); an alkaline battery is recommended. **IMPORTANT: If the console has been exposed to cold temperatures, allow it to warm to room temperature before you insert a battery. Otherwise, you may damage the console display or other electronic components.**

Locate the battery door on the back of the console. Press the tab on the battery door, and remove the battery door. Next, insert a battery into the console; **orient the battery as shown by the diagram inside the console.** Then, reattach the battery door.

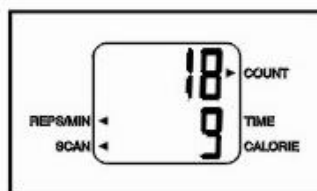
CONSOLE INSTRUCTIONS

Note: Make sure that a battery is installed (see HOW TO INSTALL A BATTERY at the left). If there is a sheet of plastic on the display, remove the plastic.

1. Turn on the console.

Press the Mode button on the console or begin exercising to turn on the console.

2. Select a mode for display.



Scan mode – To select the scan mode, press the Mode button repeatedly until an arrow appears next to the word SCAN.

Time, Calorie, or Reps/Min mode - To select one of these modes for continuous display, press the Mode button repeatedly until an arrow appears next to the desired selection. Make sure that there is not an arrow next to the word SCAN.

3. Begin exercising and follow your progress with the display.

As you exercise, the console will provide instant feedback about your workout.

4. Reset the console, if desired.

To reset the console display, press and hold the Mode button for several seconds until zeroes appear in the display.

5. When you are finished exercising, the console will turn off automatically.

If you do not move the knee pad and do not press the Mode button for a few minutes, the console will turn off automatically.

EXERCISE GUIDELINES

WARNING: Before beginning this or any exercise program, consult your physician. This is especially important for persons over age 35 or persons with pre-existing health problems.

These guidelines will help you to plan your exercise program. For detailed exercise information, obtain a reputable book or consult your physician. Remember, proper nutrition and adequate rest are essential for successful results.

EXERCISE INTENSITY

Whether your goal is to burn fat or to strengthen your cardiovascular system, exercising at the proper intensity is the key to achieving results. You can use your heart rate as a guide to find the proper intensity level. The chart below shows recommended heart rates for fat burning and aerobic exercise.

165	155	145	140	130	125	115	♥
145	138	130	125	118	110	103	♥
125	120	115	110	105	95	90	♥
<hr/>							
20	30	40	50	60	70	80	

To find the proper intensity level, find your age at the bottom of the chart (ages are rounded off to the nearest ten years). The three numbers listed above your age define your “training zone.” The lowest number is the heart rate for fat burning, the middle number is the heart rate for maximum fat burning, and the highest number is the heart rate for aerobic exercise.

Burning Fat - To burn fat effectively, you must exercise at a low intensity level for a sustained period of time. During the first few minutes of exercise, your body uses carbohydrate calories for energy. Only after the first few minutes of exercise does your body begin to use stored fat calories for energy. If your goal is to burn fat, adjust the intensity of your exercise until your heart rate is near the lowest number in your training zone. For maximum fat burning, exercise with your heart rate near the middle number in your training zone.

Aerobic Exercise - If your goal is to strengthen your cardiovascular system, you must perform aerobic exercise, which is activity that requires large amounts of oxygen for prolonged periods of time. For aerobic exercise, adjust the intensity of your exercise until your heart rate is near the highest number in your training zone.

HOW TO MEASURE YOUR HEART RATE



To measure your heart rate, exercise for at least four minutes. Then, stop exercising and place two fingers on your wrist as shown. Take a six-second heartbeat count, and multiply the result by 10 to find your heart rate. For example, if your six-second heartbeat count is 14, your heart rate is 140 beats per minute.

WORKOUT GUIDELINES

Warming Up - Start with 5 to 10 minutes of stretching and light exercise. A warm-up increases your body temperature, heart rate, and circulation in preparation for exercise.

Training Zone Exercise - Exercise for 20 to 30 minutes with your heart rate in your training zone. (During the first few weeks of your exercise program, do not keep your heart rate in your training zone for longer than 20 minutes.) Breathe regularly and deeply as you exercise-never hold your breath.

Cooling Down - Finish with 5 to 10 minutes of stretching. Stretching increases the flexibility of your muscles and helps to prevent post-exercise problems.

EXERCISE FREQUENCY

To maintain or improve your condition, complete three workouts each week, with at least one day of rest between workouts. After a few months of regular exercise, you may complete up to five workouts each week, if desired. Remember, the key to success is to make exercise a regular and enjoyable part of your everyday life.

SUGGESTED STRETCHES

The correct form for several basic stretches is shown at the right. Move slowly as you stretch - never bounce.

1. Toe Touch Stretch

Stand with your knees bent slightly and slowly bend forward from your hips. Allow your back and shoulders to relax as you reach down toward your toes as far as possible. Hold for 15 counts, then relax. Repeat 3 times. Stretches: Hamstrings, back of knees, and back.



2. Hamstring Stretch

Sit with one leg extended. Bring the sole of the opposite foot toward you and rest it against the inner thigh of your extended leg. Reach toward your toes as far as possible. Hold for 15 counts, then relax. Repeat 3 times for each leg. Stretches: Hamstrings, lower back, and groin.



3. Calf/Achilles Stretch

With one leg in front of the other, reach forward and place your hands against a wall. Keep your back leg straight and your back foot flat on the floor. Bend your front leg, lean forward and move your hips toward the wall. Hold for 15 counts, then relax. Repeat 3 times for each leg. To cause further stretching of the Achilles tendons, bend your back leg as well. Stretches: Calves, Achilles tendons, and ankles.



4. Quadriceps Stretch

With one hand against a wall for balance, reach back and grasp one foot with your other hand. Bring your heel as close to your buttocks as possible. Hold for 15 counts, then relax. Repeat 3 times for each leg. Stretches: Quadriceps and hip muscles.



5. Inner Thigh Stretch

Sit with the soles of your feet together and your knees outward. Pull your feet toward your groin area as far as possible. Hold for 15 counts, then relax. Repeat 3 times. Stretches: Quadriceps and hip muscles.

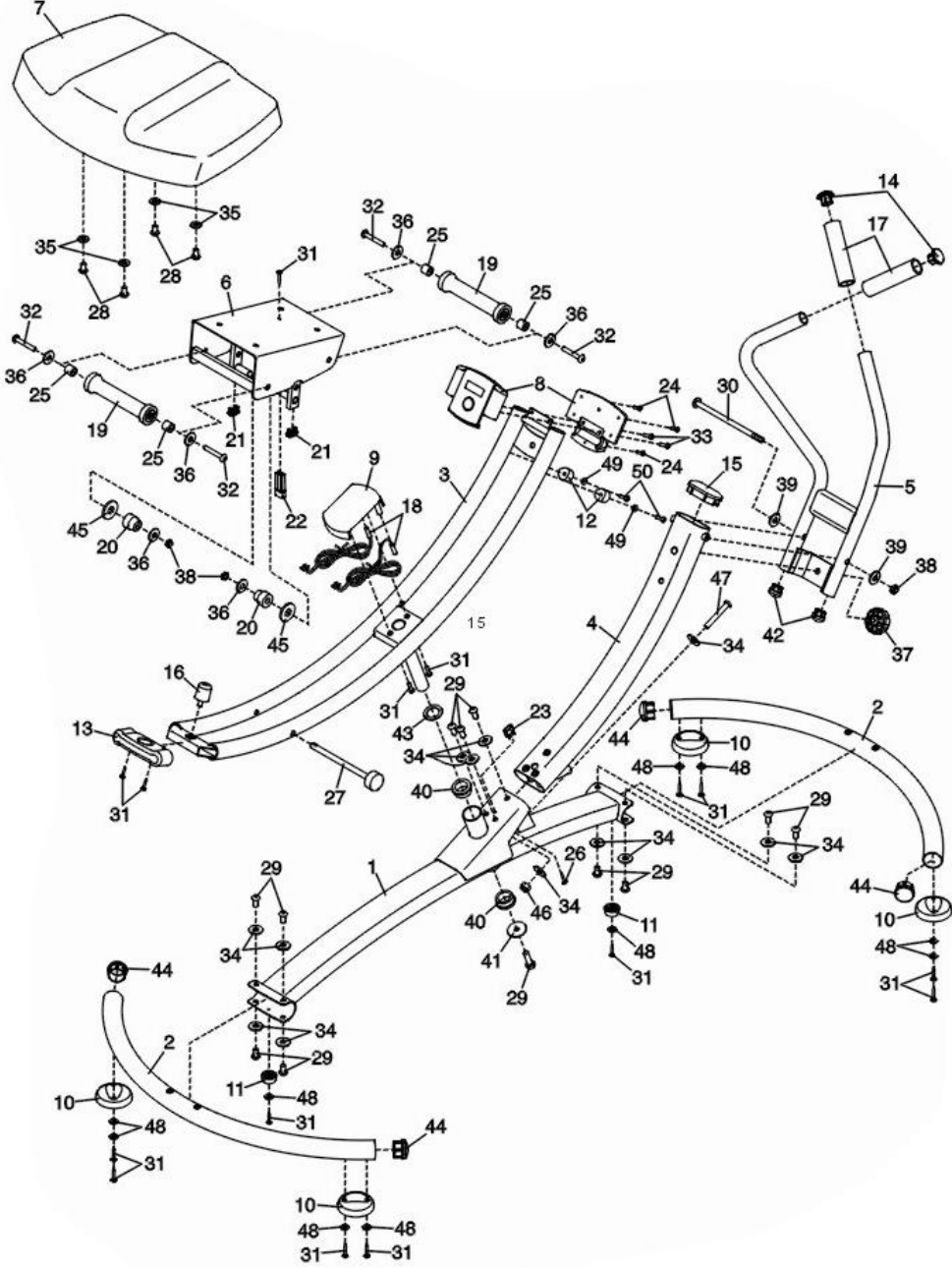


PARTS LIST

Key No.	Qty.	Description
1	1	Frame
2	2	Base
3	1	Pivot Frame
4	1	Upright
5	1	Handlebar
6	1	Roller Carriage
7	1	Knee Pad
8	1	Console
9	1	Pivot Cover
10	4	Base Foot
11	2	Frame Foot
12	2	Bumper
13	1	Pivot Frame Cap
14	2	Upper Handlebar Cap
15	1	Upright Cap
16	1	Roller Stop
17	2	Foam Grip
18	2	Reed Switch
19	2	Upper Roller
20	2	Lower Roller
21	2	Roller Carriage Cap
22	1	Long Magnet Bracket
23	1	Short Magnet Bracket
24	3	Console Screw
25	4	Roller Spacer
26	1	M4 x 12 mm Screw
27	1	Pin
28	4	M6 x 15mm Button Screw
29	12	M8 x 15mm Button Screw
30	1	M10 x 157mm Button Bolt
31	15	M4 x 16mm Screw
32	4	3/8 x 40mm Button Screw
33	2	M4 x 20mm Screw
34	13	M8 Washer
35	4	M6 Washer

36	6	M10 Washer
37	1	Handlebar Knob
38	3	M10 Locknut
39	2	M10 Curved Washer
40	2	Bushing
41	1	Large Washer
42	2	Lower Handlebar Cap
43	1	Pivot Washer
44	4	Base Cap
45	2	M13 Washer
46	1	M8 Locknut
47	1	M8 x 55mm Button Bolt
48	10	M4 Washer
49	2	M5 Washer
50	2	M5 x 16mm Screw
*	1	Multi spanner + screwdriver
*	1	Grease
*	1	User's Manual

EXPLODED DRAWING



ORDERING REPLACEMENT PARTS

To order replacement parts, please be prepared to provide the following information when contacting us:

- the model number and serial number of the product
- the name of the product
- the key number and description of the replacement part(s) (see the PART LIST and the EXPLODED DRAWING near the end of this manual)

TERMS AND CONDITIONS OF WARRANTY, WARRANTY CLAIMS

General Conditions of Warranty and Definition of Terms

All Warranty Conditions stated hereunder determine Warranty Coverage and Warranty Claim Procedure. Conditions of Warranty and Warranty Claims are governed by Act No. 40/1964 Coll. Civil Code, Act No. 513/1991 Coll., Commercial Code, and Act No. 634/1992 Coll., Consumer Protection Act, as amended, also in cases that are not specified by these Warranty rules.

The seller is SEVEN SPORT s.r.o. with its registered office in Borivojova Street 35/878, Prague 13000, Company Registration Number: 26847264, registered in the Trade Register at Regional Court in Prague, Section C, Insert No. 116888.

According to valid legal regulations it depends whether the Buyer is the End Customer or not.

“The Buyer who is the End Customer” or simply the “End Customer” is the legal entity that does not conclude and execute the Contract in order to run or promote his own trade or business activities.

“The Buyer who is not the End Customer” is a Businessman that buys Goods or uses services for the purpose of using the Goods or services for his own business activities. The Buyer conforms to the General Purchase Agreement and business conditions to the extent specified in the Commercial Code.

These Conditions of Warranty and Warranty Claims are an integral part of every Purchase Agreement made between the Seller and the Buyer. All Warranty Conditions are valid and binding, unless otherwise specified in the Purchase Agreement, in the Amendment to this Contract or in another written agreement.

Warranty Conditions

Warranty Period

The Seller provides the Buyer a 24 months Warranty for Goods Quality, unless otherwise specified in the Certificate of Warranty, Invoice, Bill of Delivery or other documents related to the Goods. The legal warranty period provided to the Consumer is not affected.

By the Warranty for Goods Quality, the Seller guarantees that the delivered Goods shall be, for a certain period of time, suitable for regular or contracted use, and that the Goods shall maintain its regular or contracted features.

The Warranty does not cover defects resulting from:

User's fault, i.e. product damage caused by unqualified repair work, improper assembly, insufficient insertion of seat post into frame, insufficient tightening of pedals and cranks

Improper maintenance

Mechanical damages

Regular use (e.g. wearing out of rubber and plastic parts, joints etc.)

Unavoidable event, natural disaster

Adjustments made by unqualified person

Improper maintenance, improper placement, damages caused by low or high temperature, water, inappropriate pressure, shocks, intentional changes in design or construction etc.

Warranty Claim Procedure

The Buyer is obliged to check the Goods delivered by the Seller immediately after taking the responsibility for the Goods and its damages, i.e. immediately after its delivery. The Buyer must check the Goods so that he discovers all the defects that can be discovered by such check.

When making a Warranty Claim the Buyer is obliged, on request of the Seller, to prove the purchase and validity of the claim by the Invoice or Bill of Delivery that includes the product's serial number, or eventually by the documents without the serial number. If the Buyer does not prove the validity of the Warranty Claim by these documents, the Seller has the right to reject the Warranty Claim.

If the Buyer gives notice of a defect that is not covered by the Warranty (e.g. in the case that the Warranty Conditions were not fulfilled or in the case of reporting the defect by mistake etc.), the Seller is eligible to require a compensation for all the costs arising from the repair. The cost shall be calculated according to the valid price list of services and transport costs.

If the Seller finds out (by testing) that the product is not damaged, the Warranty Claim is not accepted. The Seller reserves the right to claim a compensation for costs arising from the false Warranty Claim.

In case the Buyer makes a claim about the Goods that is legally covered by the Warranty provided by the Seller, the Seller shall fix the reported defects by means of repair or by the exchange of the damaged part or product for a new one. Based on the agreement of the Buyer, the Seller has the right to exchange the defected Goods for a fully compatible Goods of the same or better technical characteristics. The Seller is entitled to choose the form of the Warranty Claim Procedures described in this paragraph.

The Seller shall settle the Warranty Claim within 30 days after the delivery of the defective Goods, unless a longer period has been agreed upon. The day when the repaired or exchanged Goods is handed over to the Buyer is considered to be the day of the Warranty Claim settlement. When the Seller is not able to settle the Warranty Claim within the agreed period due to the specific nature of the Goods defect, he and the Buyer shall make an agreement about an alternative solution. In case such agreement is not made, the Seller is obliged to provide the Buyer with a financial compensation in the form of a refund.



SEVEN SPORT s.r.o.

Registered Office:	Borivojova 35/878, 130 00 Praha 3, Czech Republic
Headquarters:	Delnicka 957, 749 01 Vitkov, Czech Republic
Warranty & Service Centre:	Cermenska 486, 749 01 Vitkov, Czech Republic
CRN:	26847264
VAT ID:	CZ26847264
Phone:	+420 556 300 970
E-mail:	eshop@insportline.cz reklamace@insportline.cz servis@insportline.cz
Web:	www.insportline.cz

SK

INSPORTLIN s.r.o.

Headquarters, Warranty & Service centre:	Elektricka 6471, 911 01 Trenčin, Slovakia
CRN:	36311723
VAT ID:	SK2020177082
Phone:	+421(0)326 526 701
E-mail:	objednavky@insportline.sk reklamacie@insportline.sk servis@insportline.sk

Web: www.insportline.sk

Date of Sale:

Stamp and Signature of Seller: