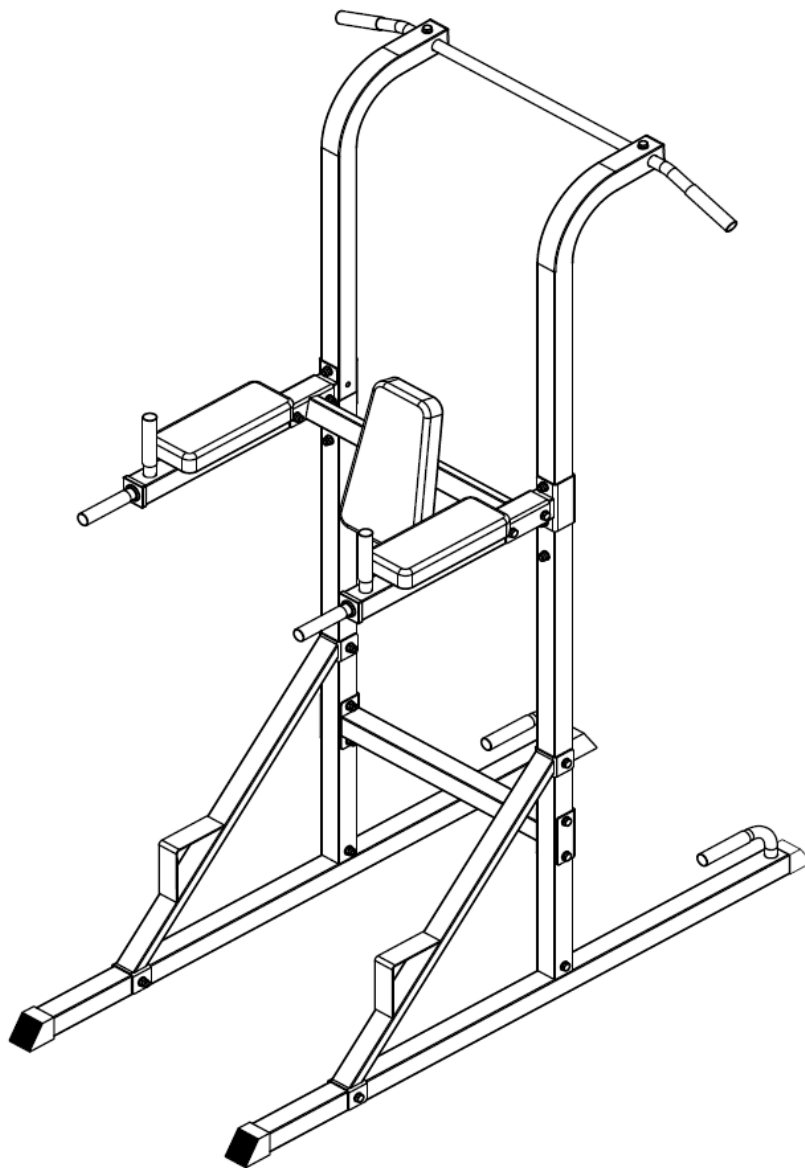




USER MANUAL – EN
IN 7536 Power Tower inSPORTline PT80



CONTENTS

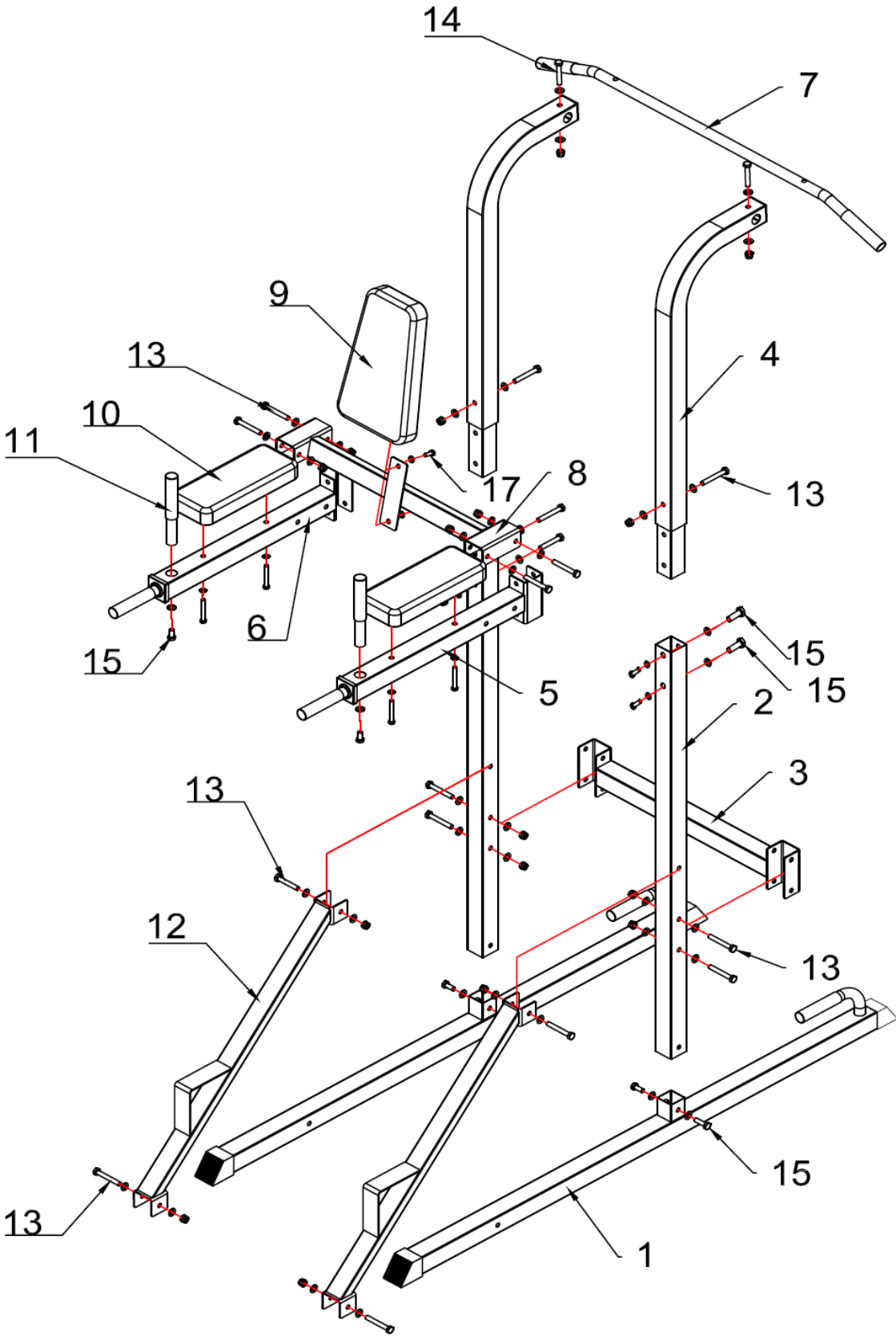
SAFETY INSTRUCTIONS..... 3
EXPLODED DRAWING..... 4
PARTS LIST 5
ASSEMBLY INSTRUCTIONS 8
TERMS AND CONDITIONS OF WARRANTY, WARRANTY CLAIMS..... 11

SAFETY INSTRUCTIONS

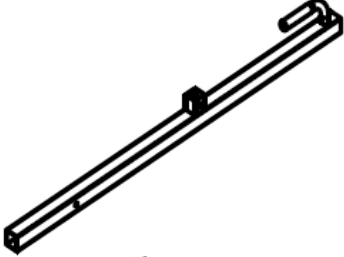
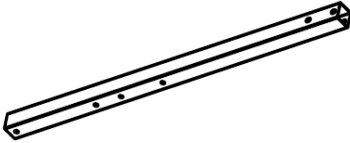
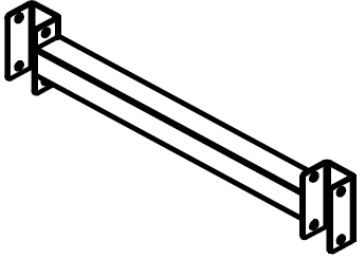
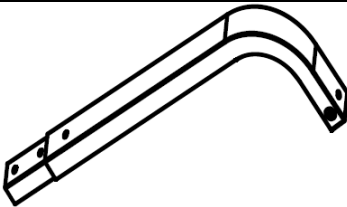
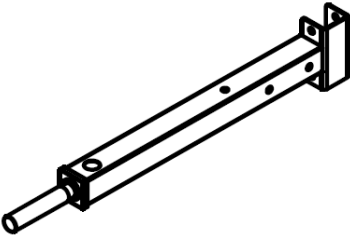
This exercise equipment is built for optimum safety. Be sure to read the entire manual before you assemble or operate your equipment. Please note the following safety precautions:

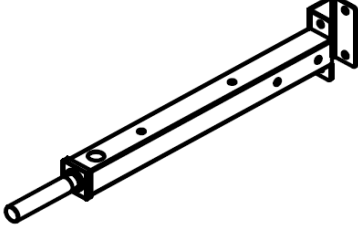
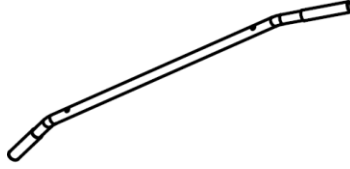
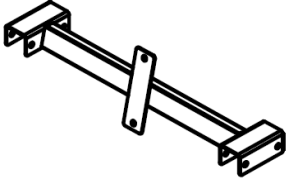
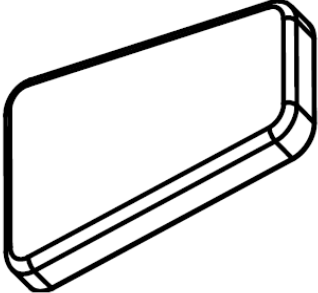
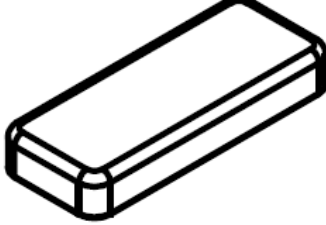

1. Keep children and pets away from the equipment at all times. Do not leave children unattended in the same room with the equipment.
2. Only one person at a time should use the equipment.
3. If the user experiences dizziness, nausea, chest pain, or any other abnormal symptoms STOP the workout at once. CONSULT PHYSICIAN IMMEDIATELY.
4. Position the equipment on a clear, level surface. DO NOT use the equipment near water or outdoors. If necessary, place a protective mat (not included in scope of delivery) to protect your floor underneath the device and keep a free space of at least 0.6 m around the device for safety reasons.
5. Always wear appropriate workout clothing when exercising. DO NOT wear robes or other clothing that could become caught in the equipment.
6. Use the equipment only for its intended use as described in this manual. DO NOT use attachments not recommended by the manufacturer.
7. Before using the equipment, always do stretching exercises to properly warm up.
8. Never operate the equipment if it is not functioning properly.
9. **Maximum user weight:** 135 kgs (300 Lbs)
10. Class **H** (according to EN ISO 20957) for home use.

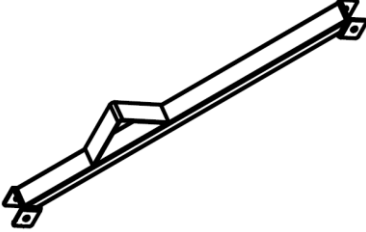






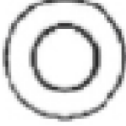
EXPLODED DRAWING



PARTS LIST

NO.	Description
01	 <p data-bbox="735 602 948 633">Base Tube, 2 pcs</p>
02	 <p data-bbox="711 808 970 840">Bottom Upright, 2 pcs</p>
03	 <p data-bbox="679 1128 1002 1160">Central Cross Support 1 pc</p>
04	 <p data-bbox="730 1408 954 1440">Top Upright, 2 pcs</p>
05	 <p data-bbox="705 1713 979 1744">Left Arm Support, 1 pc</p>

06	 <p>Right Arm Support, 1 pc</p>
07	 <p>Lat Bar, 1 pc</p>
08	 <p>Back Pad Support, 1 pc</p>
09	 <p>Back Pad, 1 pc</p>
10	 <p>Arm Pad, 2 pcs</p>
11	 <p>Arm Support Handle, 2 pcs</p>

12	 <p data-bbox="719 450 963 483">Angle Support, 2pcs</p>
13	 <p data-bbox="660 656 1023 689">Hex Bolt (M10x70mm), 14 pcs</p>
14	 <p data-bbox="667 862 1016 896">Hex Bolt (M10x60mm), 2 pcs</p>
15	 <p data-bbox="663 1068 1019 1102">Hex Bolt (M10x20mm), 14pcs</p>
16	 <p data-bbox="676 1274 1007 1308">Hex Bolt (M8x65mm), 4pcs</p>
17	 <p data-bbox="676 1449 1007 1482">Hex Bolt (M8x20mm), 2pcs</p>
18	 <p data-bbox="711 1697 971 1731">Washer (M10), 46pcs</p>
19	 <p data-bbox="727 1895 959 1928">Washer (M8), 6pcs</p>

20

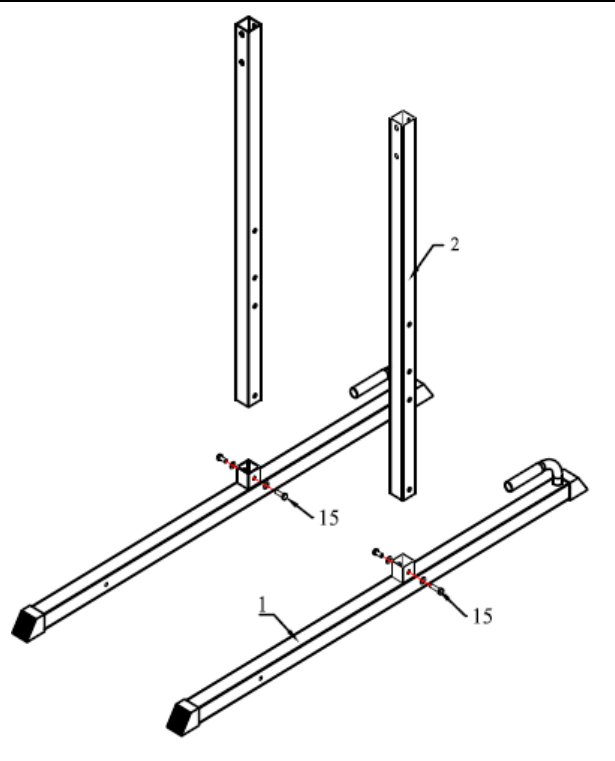


Nylon Lock (M10), 16pcs

ASSEMBLY INSTRUCTIONS

STEP 1:

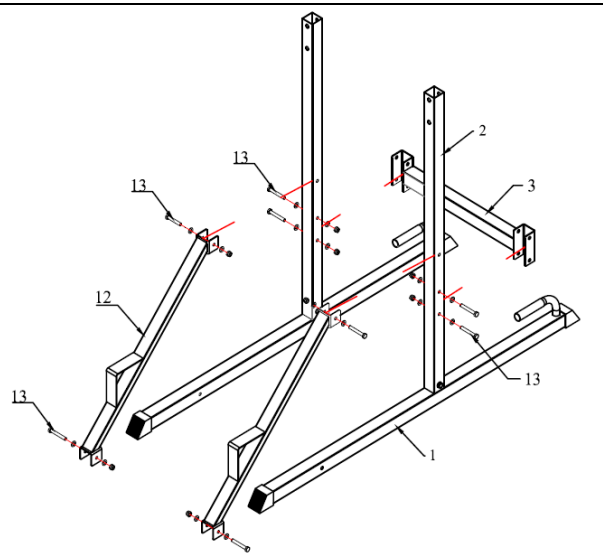
Attach the Bottom upright (02) to Base tube (01) using 4pcs Hex bolt M10x20mm (15) and 4pcs Washer Φ 10 (18).



STEP 2:

Attach Central cross support (03) to Bottom upright (02) using 4pcs Hex bolt M10x70mm (13), 8pcs washer Φ 10 (18) and 4pcs Nylon lock nut M10 (20).

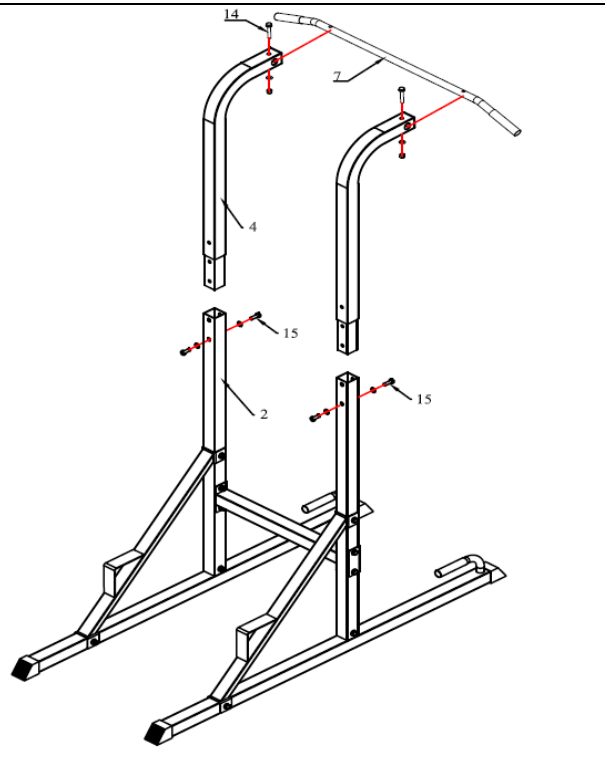
Attach Angle support (12) to Bottom upright (02), and Base tube (01), using 4pcs Hex bolt M10x70mm (13), 8pcs washer Φ 10 (18) and 4pcs Nylon lock nut M10 (20).



STEP 3:

Attach the lat bar (07) to the top upright (04), with 2pcs Hex bolt M10x60mm (14) and 4pcs washer Φ 10 (18) and 2pcs Nylon nut M10 (20).

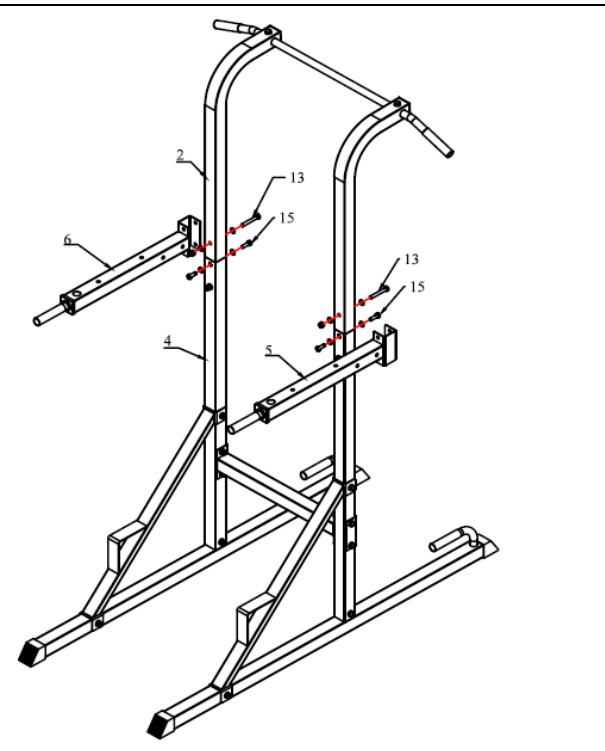
Insert the Top upright (04) into the Bottom upright (02), using 4pcs Hex bolt M10x20mm (15) and 4pcs washer Φ 10 (18).



STEP 4:

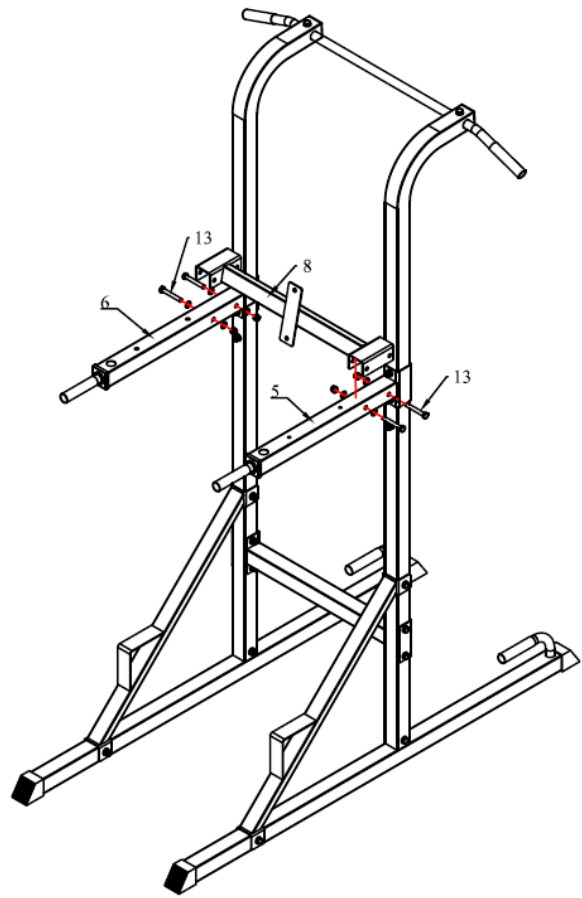
Attach the Left arm support (05) to the Bottom upright (02) and Top upright (04), using 2pcs Hex bolt M10x20 (15), 1pc Hex bolt M10x70mm (13), 4pcs washer Φ 10 (18) and 1pc Nylon nut M10 (20).

Attach the right arm support (06) to the Bottom upright (02) and Top upright (04), using 2pcs Hex bolt M10x20mm (15), 1pc Hex bolt M10x70mm (13) 4pcs washer Φ 10 (18) and 1pc Nylon nut M10 (20).



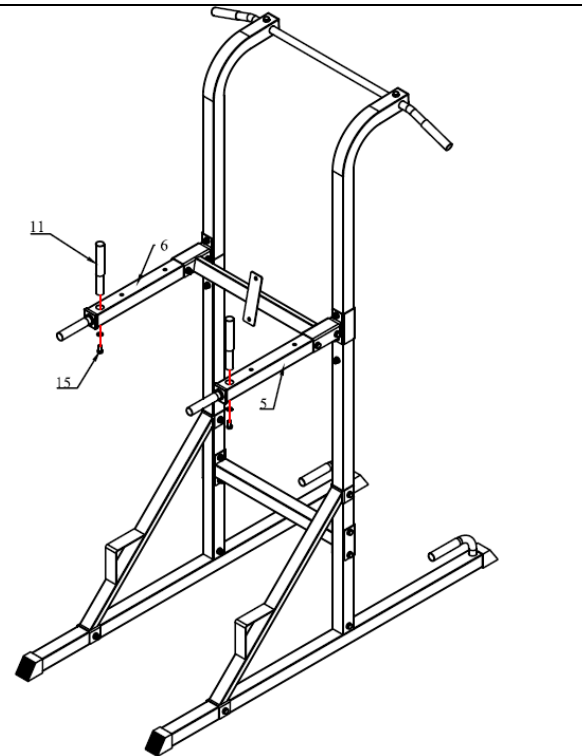
STEP 5:

Attach the Back pad support (08) to the Left arm support (05) and Right arm support (06), using 4pcs Hex bolt M10x70mm (13), 8pcs washer Φ 10 (18) and 4pcs Nylon nut M10 (20).



STEP 6:

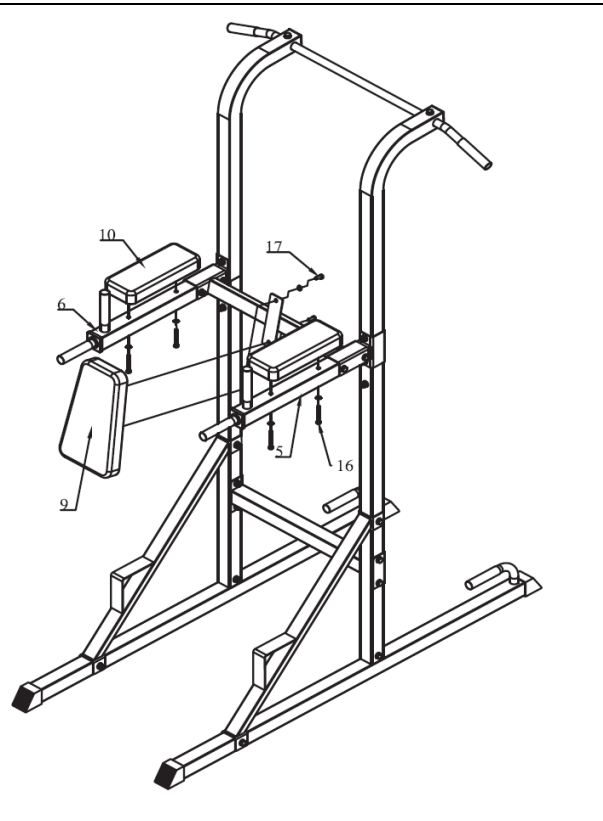
Insert the Arm support handle (11) into the Left arm support (05) and Right arm support (06), using 2pcs Hex bolt M10x20mm (15), and 2pcs Washer Φ 10 (18).



STEP 7:

Attach the Arm pad (10) to the Left arm support (05) and Right arm support (06), with 4pcs hex bolt M8x65 mm (16) and 4pcs washer Φ 8 (19).

Attach the Back pad (09) to Back pad support (08), with 2pcs Hex bolt M8x20mm (17) and 2pcs washer Φ 8 (19).



TERMS AND CONDITIONS OF WARRANTY, WARRANTY CLAIMS

General Conditions of Warranty and Definition of Terms

All Warranty Conditions stated hereunder determine Warranty Coverage and Warranty Claim Procedure. Conditions of Warranty and Warranty Claims are governed by Act No. 40/1964 Coll. Civil Code, Act No. 513/1991 Coll., Commercial Code, and Act No. 634/1992 Coll., Consumer Protection Act, as amended, also in cases that are not specified by these Warranty rules.

The seller is SEVEN SPORT s.r.o. with its registered office in Borivojova Street 35/878, Prague 13000, Company Registration Number: 26847264, registered in the Trade Register at Regional Court in Prague, Section C, Insert No. 116888.

According to valid legal regulations it depends whether the Buyer is the End Customer or not.

“The Buyer who is the End Customer” or simply the “End Customer” is the legal entity that does not conclude and execute the Contract in order to run or promote his own trade or business activities.

“The Buyer who is not the End Customer” is a Businessman that buys Goods or uses services for the purpose of using the Goods or services for his own business activities. The Buyer conforms to the General Purchase Agreement and business conditions to the extent specified in the Commercial Code.

These Conditions of Warranty and Warranty Claims are an integral part of every Purchase Agreement made between the Seller and the Buyer. All Warranty Conditions are valid and binding, unless otherwise specified in the Purchase Agreement, in the Amendment to this Contract or in another written agreement.

Warranty Conditions

Warranty Period

The Seller provides the Buyer a 24 months Warranty for Goods Quality, unless otherwise specified in the Certificate of Warranty, Invoice, Bill of Delivery or other documents related to the Goods. The legal warranty period provided to the Consumer is not affected.

By the Warranty for Goods Quality, the Seller guarantees that the delivered Goods shall be, for a certain period of time, suitable for regular or contracted use, and that the Goods shall maintain its regular or contracted features.

The Warranty does not cover defects resulting from:

User's fault, i.e. product damage caused by unqualified repair work, improper assembly, insufficient insertion of seat post into frame, insufficient tightening of pedals and cranks

Improper maintenance

Mechanical damages

Regular use (e.g. wearing out of rubber and plastic parts, joints etc.)

Unavoidable event, natural disaster

Adjustments made by unqualified person

Improper maintenance, improper placement, damages caused by low or high temperature, water, inappropriate pressure, shocks, intentional changes in design or construction etc.

Warranty Claim Procedure

The Buyer is obliged to check the Goods delivered by the Seller immediately after taking the responsibility for the Goods and its damages, i.e. immediately after its delivery. The Buyer must check the Goods so that he discovers all the defects that can be discovered by such check.

When making a Warranty Claim the Buyer is obliged, on request of the Seller, to prove the purchase and validity of the claim by the Invoice or Bill of Delivery that includes the product's serial number, or eventually by the documents without the serial number. If the Buyer does not prove the validity of the Warranty Claim by these documents, the Seller has the right to reject the Warranty Claim.

If the Buyer gives notice of a defect that is not covered by the Warranty (e.g. in the case that the Warranty Conditions were not fulfilled or in the case of reporting the defect by mistake etc.), the Seller is eligible to require a compensation for all the costs arising from the repair. The cost shall be calculated according to the valid price list of services and transport costs.

If the Seller finds out (by testing) that the product is not damaged, the Warranty Claim is not accepted. The Seller reserves the right to claim a compensation for costs arising from the false Warranty Claim.

In case the Buyer makes a claim about the Goods that is legally covered by the Warranty provided by the Seller, the Seller shall fix the reported defects by means of repair or by the exchange of the damaged part or product for a new one. Based on the agreement of the Buyer, the Seller has the right to exchange the defected Goods for a fully compatible Goods of the same or better technical characteristics. The Seller is entitled to choose the form of the Warranty Claim Procedures described in this paragraph.

The Seller shall settle the Warranty Claim within 30 days after the delivery of the defective Goods, unless a longer period has been agreed upon. The day when the repaired or exchanged Goods is handed over to the Buyer is considered to be the day of the Warranty Claim settlement. When the Seller is not able to settle the Warranty Claim within the agreed period due to the specific nature of the Goods defect, he and the Buyer shall make an agreement about an alternative solution. In case such agreement is not made, the Seller is obliged to provide the Buyer with a financial compensation in the form of a refund.



SEVEN SPORT s.r.o.

Registered Office:	Borivojova 35/878, 130 00 Praha 3, Czech Republic
Headquarters:	Delnicka 957, 749 01 Vitkov, Czech Republic
Warranty & Service Centre:	Cermenska 486, 749 01 Vitkov, Czech Republic
CRN:	26847264
VAT ID:	CZ26847264
Phone:	+420 556 300 970

E-mail: eshop@insportline.cz
reklamace@insportline.cz
servis@insportline.cz
Web: www.insportline.cz

SK

INSPORTLINE s.r.o.

Headquarters, Warranty & Service centre: Elektrická 6471, 911 01 Trenčín, Slovakia

CRN: 36311723

VAT ID: SK2020177082

Phone: +421(0)326 526 701

E-mail: objednavky@insportline.sk
reklamacie@insportline.sk
servis@insportline.sk

Web: www.insportline.sk

Date of Sale:

Stamp and Signature of Seller: